

AQUAGEM[®]

Enjoy the silence

XFLOW

INVERSilence[™] Tech



First Inverter pool pump with
20 Times quieter



INVERSilenceTM Tech
Saving in Silence

For decades, to fulfill heavy duties like backwash, people have to constantly endure a high noise over 70 dBA (@1m) from their oversized pool pump. According to scientific research, above 60 dBA is already the noisy range, long-term in the environment of more than 70 dBA, people would feel upset, distracted, and hearing nerve can suffer a certain extend of damage especially to children.

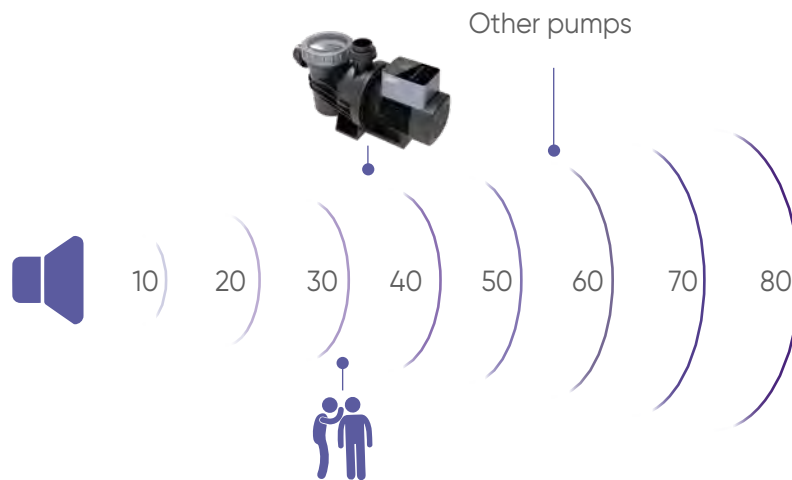
To overcome this dilemma, since 2017, Aquagem has been dedicating to develop a solution. Finally in 2020, InverSilence Technology is successfully launched, the first core technology in pump application addressing noise.

Aquagem's InverSilence Technology generates 16,000 calculations per second, precisely controlling each core component and the motor for optimal silent performance.

20 Times quieter at full capacity

Equipped with InverSilence Technology, XFlow is 20 times quieter than other pumps in the market.

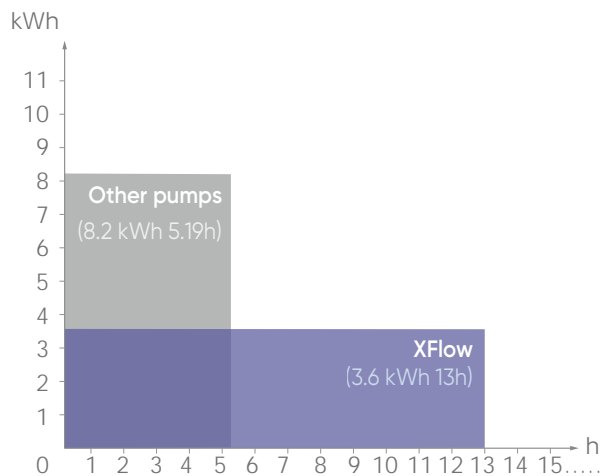
down to 37 dB(A) @ 1m



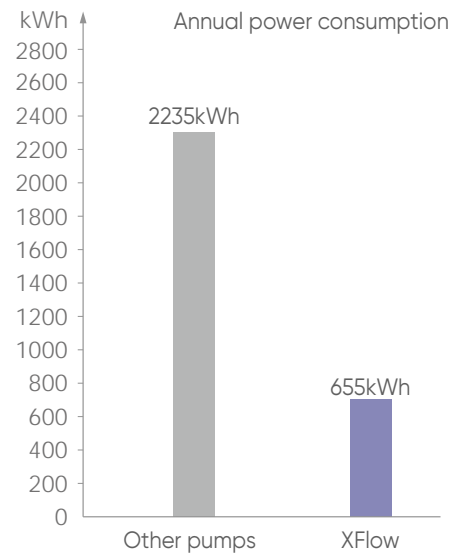
Rapid payback within 1.5 years

Thanks to the InverSilence Technology, the XFlow pump consumes less energy than other pumps. You could get a rapid payback within 1.5 years.

XFlow GFVS19N VS Other Pumps (2.2kW)



Assumptions: pool size in 60m³, 2 turns/day in 180 days pool season, 1 turn/day in 185 days off season.



First quietest inverter pool pump with intuitive touch screen control.



Lock/ Backwash

Simply one click for backwash
Count down in 180s



**429_w
Power consumption(W)**

**80%
Running capacity**
From 40%~100%



Timer

4 timers for daily operation



SUS316 mechanical seal

Double life expectancy
Suitable for salt pools



External control (Optional)

Digital Input
Relay Output
RS485



Inverter pool pump vs Others

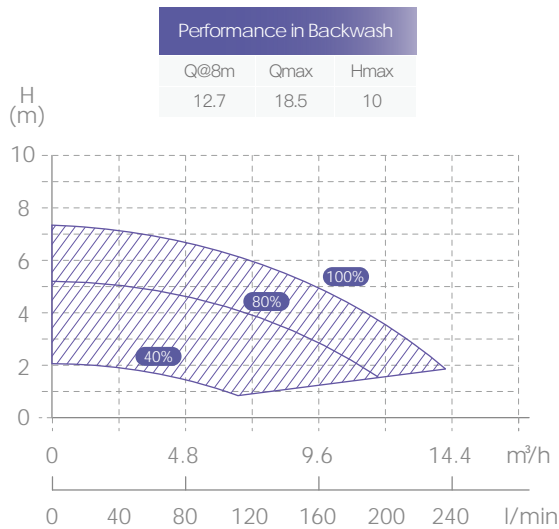
Model	Technology	Full Flow @8m (m³/h)	Input Power (kW)	Higher running cost (Others VS Inverter)	Sound pressure @1m Full capacity dB(A)	Sound pressure @10m Full capacity dB(A)
GFVS15N	InverSilence	15	0.615	100%	38.9-51.3	18.9-31.3
VSP11	Variable speed	15.6	0.805	131%	48.5-61.5	28.5-41.5
GF09	Single speed	15	0.9	146%	64.1	44.5

Technical Parameter

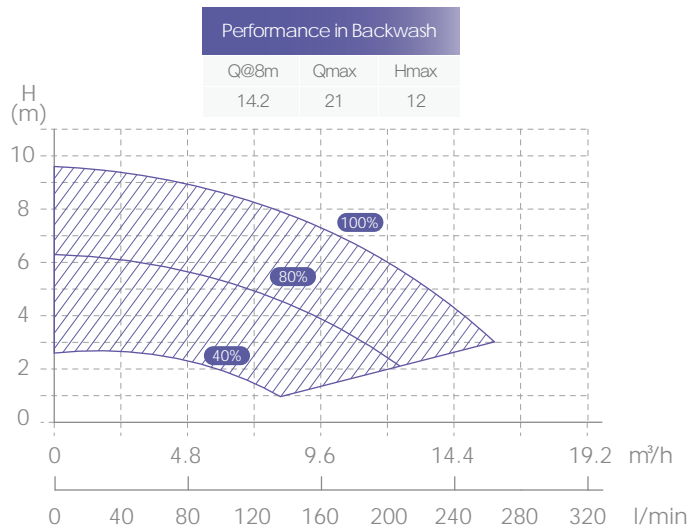
Model	Advised pool volume(m³)	Noise Level at 10m dB(A)	Noise Level at 1m dB(A)	P1 (kW)	Voltage (V/Ph/Hz)	Current (A)	Backwash		Circulation(m³/h)		
							Qmax	Hmax	at 6m	at 8m	at 10m
GFVS09N	20-30	17.0-29.5	37.0-49.5	0.05-0.32	220-240/1/50	0.79-3.0	18.5	10	5.4-7.2		
GFVS11N	25-35	18.1-30.7	38.1-50.7	0.07-0.45		0.91-3.67	21.0	12	7.3-12.0	7.5-8.2	
GFVS15N	40-55	18.9-31.3	38.9-51.3	0.1-0.73		0.98-5.38	30.0	17	6.3-18.1	6.4-14.5	7.5-10.3
GFVS19N	50-80	20.5-33.6	40.5-53.6	0.13-1.0		1.30-7.29	33.7	21	8.16-24.0	8.5-20.5	7.1-16.3

Performance Curve

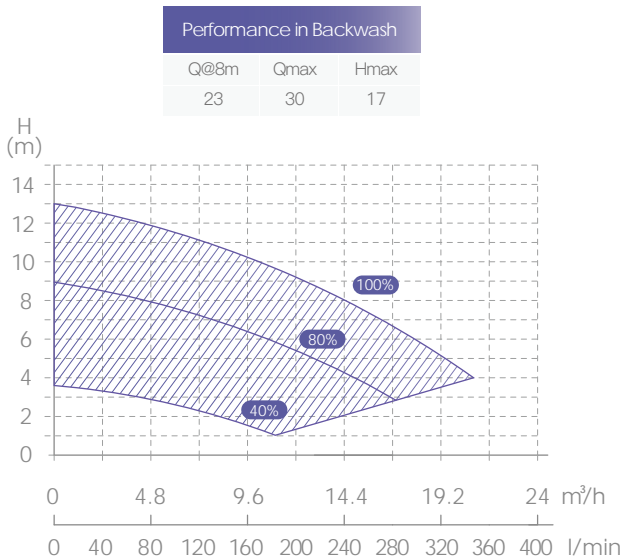
GFVS09N



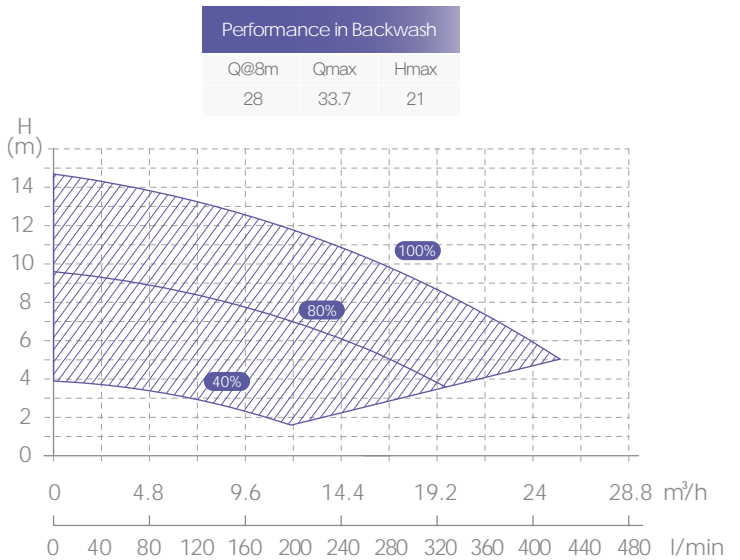
GFVS11N



GFVS15N



GFVS19N





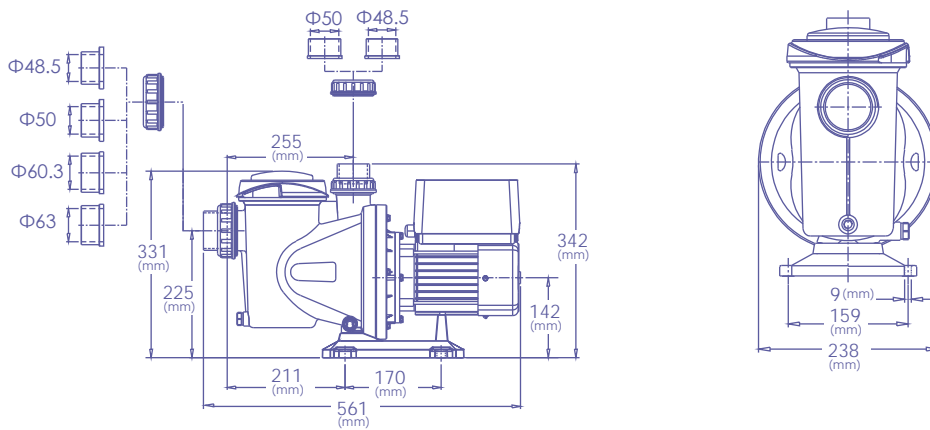
GFVS09N/GFVS11N



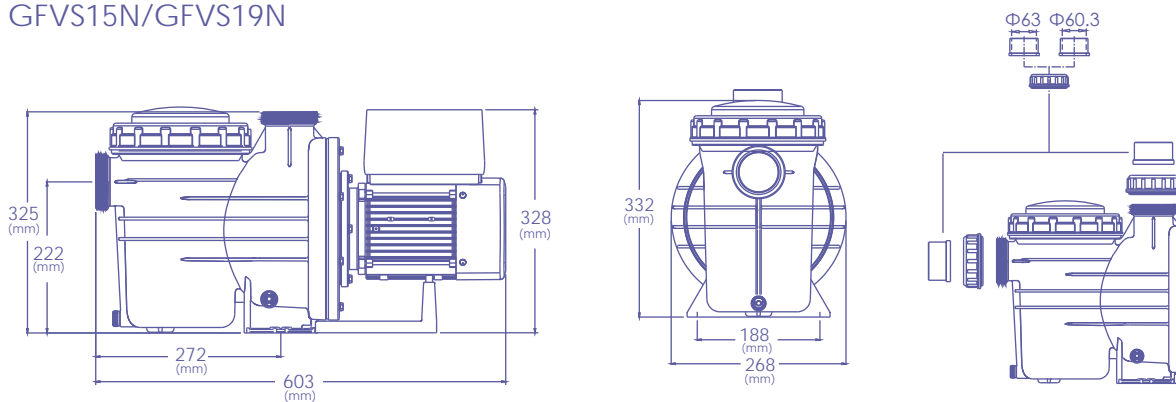
GFVS15N/GFVS19N

Overall Dimension

GFVS09N/GFVS11N



GFVS15N/GFVS19N



AQUAGEM ELECTRIC LIMITED

5th Floor, C6 Building, Nanlong Industrial Zone, PanYu, GuangZhou, P.R. China

TEL: 0086 20 37814527 FAX: 0086 20 37879695 Email: sales@aquagem.com.cn