



USER GUIDE ETHERNET MODULE (REF. RS2NET)

Technical manual V1.0

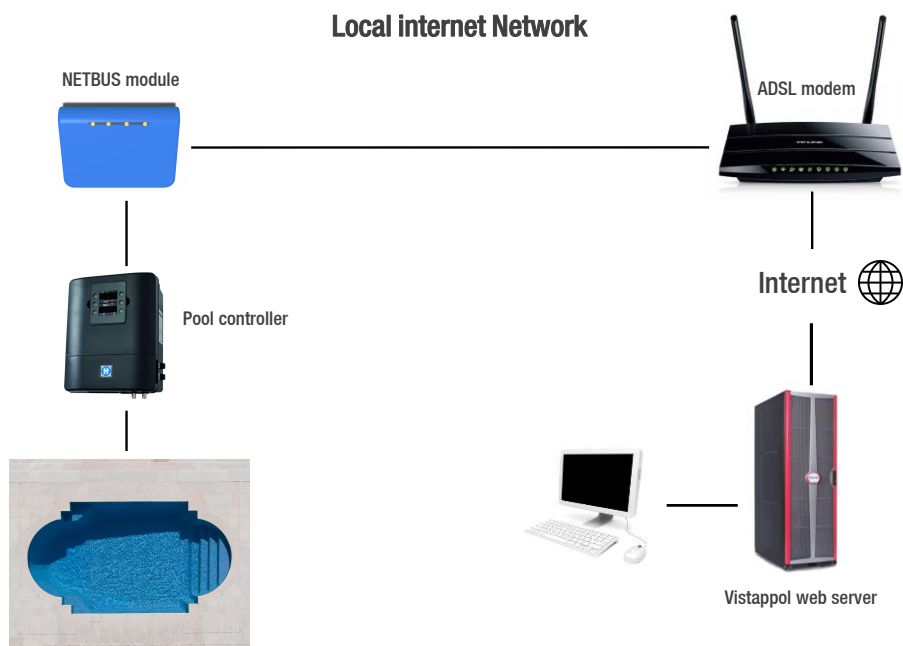
NetBus is a module produced by Sugar Valley in order to allow the interconnection between a Sugar Valley device and the VistaPool system.

Likewise, the NetBus module allows the work with the PoolShow system of Sugar Valley to see the pool parameters.

IMPORTANT: The NETBUS module and the PoolShow system must to be **in the same network local** to work properly.

This module allows an internet wired connection, replacing the WIFI solution

IMPORTANT: The manual contains instructions for the acces to a low level of differents operating ways of the devices, like the information used to generate a firmware upgrade file. It's recommended to keep this document **only for the internal use of Sugar Valley.**



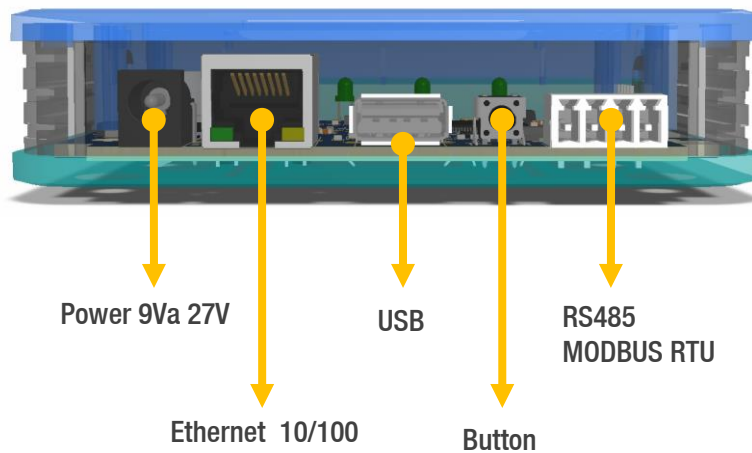
Starting the system:

When the NetBus box is opened, you will find the following parts:

- NETBUS module
- MODBUS RTU wire connection
- Ethernet wire

The device can power from an 12V external adapter, or from the device. To install, complete the following steps:

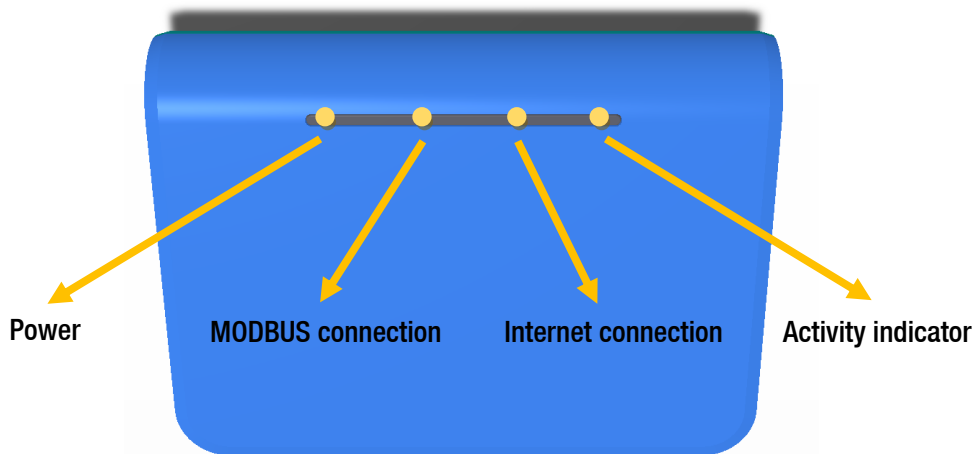
1. Connect the NETBUS module as follows:



The Ethernet port must be connected to the router/switch you have available. The RS485 MODBUS RTU port must be connected to the connector labeled as WIFI in the Sugar Valley device.

- 2. Once the connection is made, toggle the power switch on your Sugar Valley device and wait 60 seconds.**
- 3. Configure the Internet connection as detailed in the Sugar Valley instructions (Main Menu > Settings > Internet > Settings). It's recommended to use DHCP as the connection parameter, but if you prefer, you can set the parameters of a connection with fixed IP.**
- 4. Once the settings are placed, check that your computer connects to the Internet, if not, turn off and turn on the device to ensure that the configuration parameters have been applied correctly.**

To check that the device is working correctly, look at the status of the 4 LED's of the NETBUS module:



Indicator	Off	Blinking	On
Power	The device is off and it's not working. Check the power	_____	There is POWER on the device.
MODBUS connection	The search of the equipment has not started	Serching device on MODBUS network. Wait 1 - 2 minutes	System found and identified
Internet connection	There is no configuration to access the internet. Wait until the device MODBUS search is finished.	The internet connection is starting. Wait 1 - 2 minutes.	Device connected

In normal conditions, the activity indicator will go on and off depending on the network traffic. When the 3 LEDs on the right remain solid lighted and the left one blinks sometimes, means a correct operation